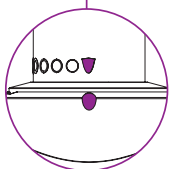
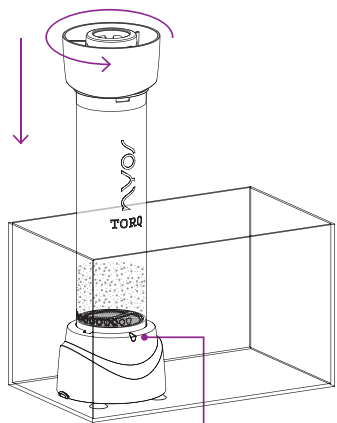


Step 03 Insert TORQ® G2 Body and start operation



[Fig. 6]

Removal position



[Fig. 7]

Setting the flow rate

1. Fit the body on the dock in the removal position (Fig. 6)
2. Plug in the dock
3. It is possible to change the flow rate by rotating the body (Fig. 7)
4. Set the flow rate so that the filter media will be hold in suspend

NOTE: A smear layer will form after a few days. This will result in a quieter return flow and bubble formation will reduce.

Manufactured by
 NyoS® Aquatics GmbH
 Siemensstr. 26
 70825 Korntal-Muenchingen, Germany
www.nyos.info, support@nyos.info

NYOS® TORQ® G2 QUICK START

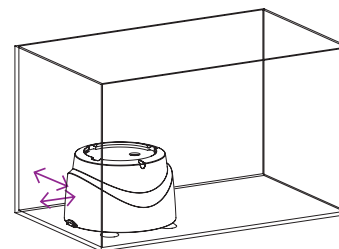
Full instructions and safety information



Video instructions and tips



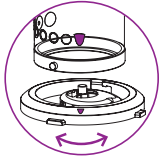
Step 01 Positioning the TORQ® G2 Dock in the sump



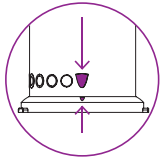
[Fig. 1]

- In sump use only
- Avoid contact to side panes
- Only plug in, when the body is on the dock

Step 02 Filling the TORQ® G2 Body



(Fig. 2)



(Fig. 3)

General Information

- The lower insert and lid can be removed from the tube with a slight turn (Fig. 2)
- Make sure both marks are aligned when connecting tube and insert (Fig. 3)
- Only Body 2.0: The separating grid needs to be bent a little bit when inserted and removed.

Filling with one filter media

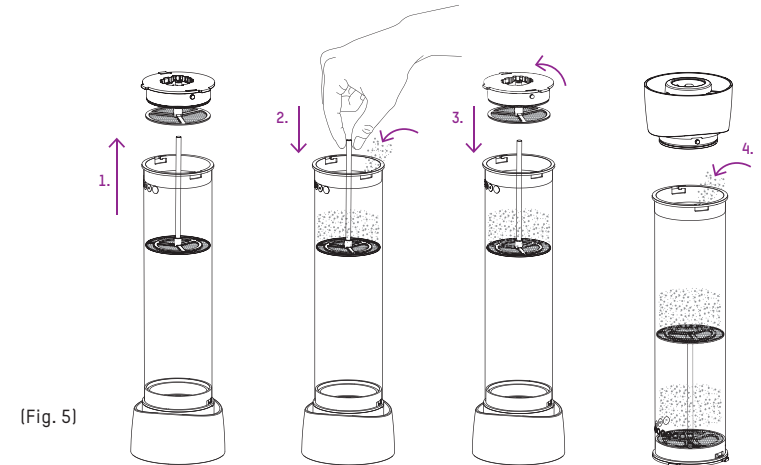


(Fig. 4)

1. Remove lid with a slight turn
2. Only Body 1.0 and 2.0: Remove lower insert and separating grid
3. Add filter media, put the lid back on and turn it to lock position

Filling with two filter media (only TORQ® G2 Body 1.0 and Body 2.0)

1. Turn the body upside down and remove the grid insert
2. Keep hold of the acrylic stick, and insert the first filter media
3. Put the insert on the acrylic stick and close the tube by turning the insert
4. Turn the body again and remove the lid. Add the second filter media and put the lid back on (Fig. 5)



(Fig. 5)